

## Street drain compensation ring h.60 mm concrete part of street drain DN450

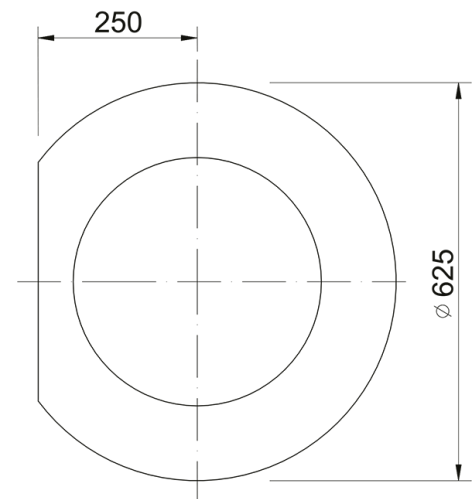
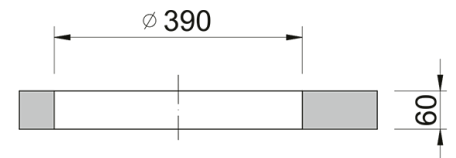
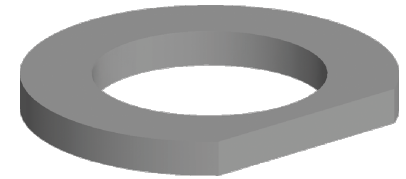


Code	<b>BUP10A</b>
Material	<b>Concrete</b>
Weight	<b>23 kg</b>
Norm	<b>DIN1917</b>
Package	<b>15 ks/pal</b>

Street inlet part 10A, height 60 mm, according to ČSN EN 1917, concrete strength 40 MPa, chemical resistance XF4, for inlet grates 500×500 mm and Curb king TBV-Q 390/60/10a

### OTHER:

| wall thickness 45 mm



RAINWATER  
DRAINAGE

