

Transition piece h. 295 mm

Upper part of street drain DN450

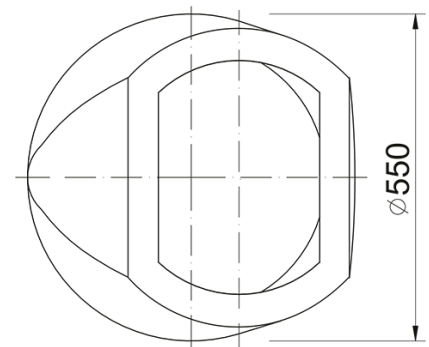
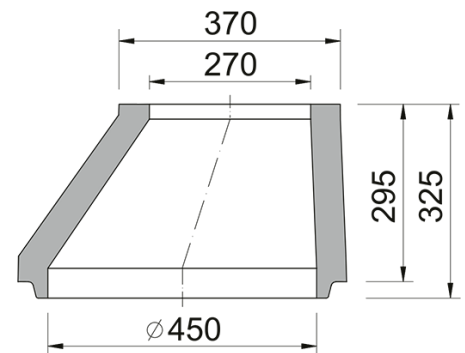
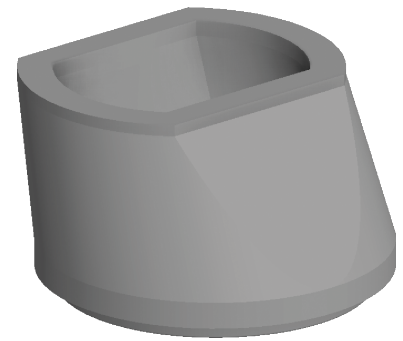


Code	BUK11A
Material	Concrete
Weight	60 kg
Norm	DIN1917
Package	16 ks/pal

Street inlet part 11, reducer 450/270, height 295 mm, according to ČSN EN 1917, concrete strength 40 MPa, chemical resistance XF4 TBV-Q 450/295/11

OTHER:

| wall thickness 45 mm



RAINWATER
DRAINAGE

