

Lower part of street drain without outlet

concrete part of street drain DN450 - sludge pit

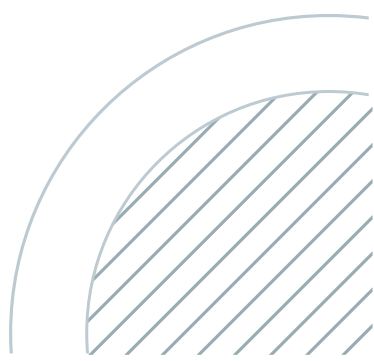
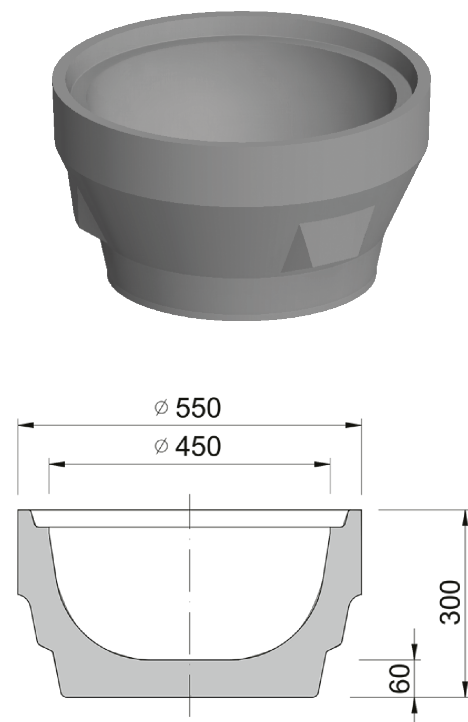


Code	BU42A
Material	Concrete
Weight	70 kg
Norm	DIN1917
Package	16 ks/pal

Street inlet part 2A, bottom part with drain, height 300 mm, according to ČSN EN 1917, concrete strength 40 MPa, chemical resistance XF4
TBV-Q 450/300/2a

OTHER:

- Parts for street drain assemblies DN450.
- wall thickness 45 mm



RAINWATER
DRAINAGE