

Circular street drain DN450 with outlet

Middle part of street drain DN450

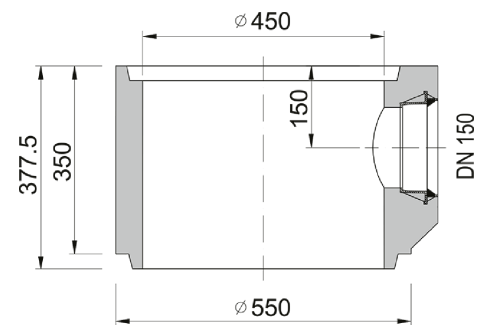
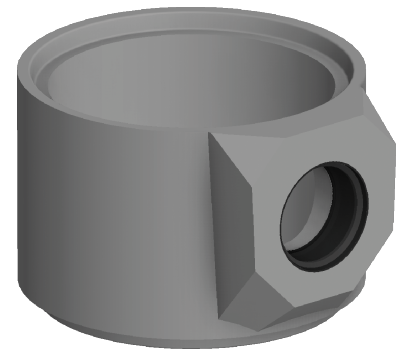


Code	BU3AP
Material	Concrete
Weight	69 kg
Norm	DIN1917
Package	16 ks/pal

Street inlet part 3A, middle part with outlet DN150, union for PVC KG, height 350 mm, according to ČSN EN 1917, concrete strength 40 MPa, chemical resistance XF4
TBV-Q 450/350/3aPVC

OTHER:

| wall thickness 45 mm



RAINWATER
DRAINAGE

