

House connection surface box

D400 - extreme traffic load



Code	KVPH1VKA
Material	Cast iron
Weight	8 kg
Norm	EN124-2
Package	96 ks/pal
Load class	Extreme traffic load

House connection fixed box D400, lid in frame secured by weight and screw

COVER:

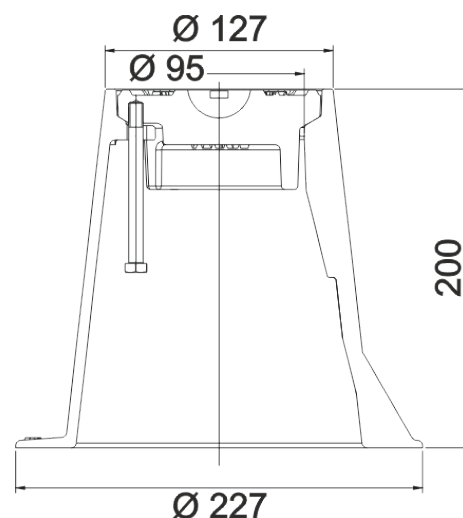
| Optional your own design/logo

FRAME:

| Suitable for places with extreme traffic loads

OTHER:

- | Comes with black powder coating
- | For any fixed surface boxes
- | Available installation toolings
- | Store separately in two parts



CUSTOM
SOLUTIONS

