

House connection surface box D400 - extreme traffic load



Code	KVP01
Material	Cast iron
Weight	8 kg
Norm	EN124-2
Package	96 ks/pal
Load class	Extreme traffic load

House connection surface box self-levelling D400, with hinge, KASI PUR damping insert

COVER:

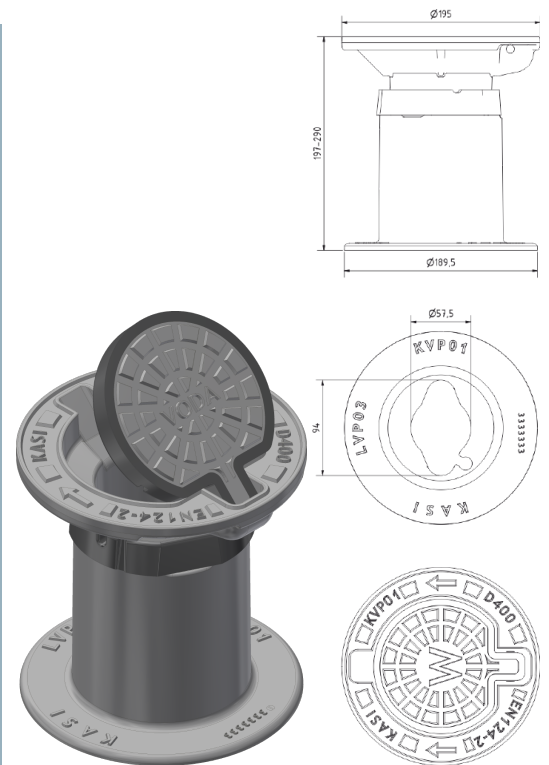
- | Integrated KASI-PUR damping insert with high resistance
- | Hinge secured with pin preventing removal from frame
- | Optional your own design/logo

FRAME:

- | Suitable for places with extreme traffic loads
- | Self-levelling frame for best quality
- | Two parts design with PUR seal
- | Adjustable construction height 197-290 mm

OTHER:

- | Comes with black powder coating
- | For any fixed surface boxes
- | Available installation toolings
- | Store separately in two parts



CUSTOM
SOLUTIONS



DAMPING INSERT



MAX. OPENING
ANGLE

