

## Concrete alignment ring with lock

For cones and cover plates for 120 mm

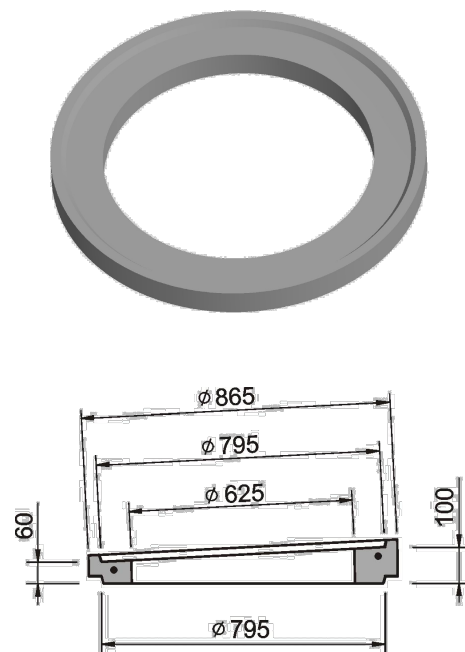


Code	<b>BAR-VS</b>
Material	<b>Concrete</b>
Weight	<b>51 kg</b>
Norm	<b>DIN1917</b>
Package	<b>10 ks/pal</b>

Concrete ring, anti-shift lock, 625/865mm, height 60mm/100mm

### OTHER:

- | Concrete 35/45, chemical resistance class XF4 - according to DIN 4034
- | Adjustment rings under manhole covers DN600.
- | The rings must be laid on manhole top section and on top of each other, always on a mortar or grout bed with a minimum strength of 45 MPa and a resistance of XF4.



ADJUSTABLE  
HEIGHT

