

Concrete alignment ring with lock

For cones and cover plates for 120 mm

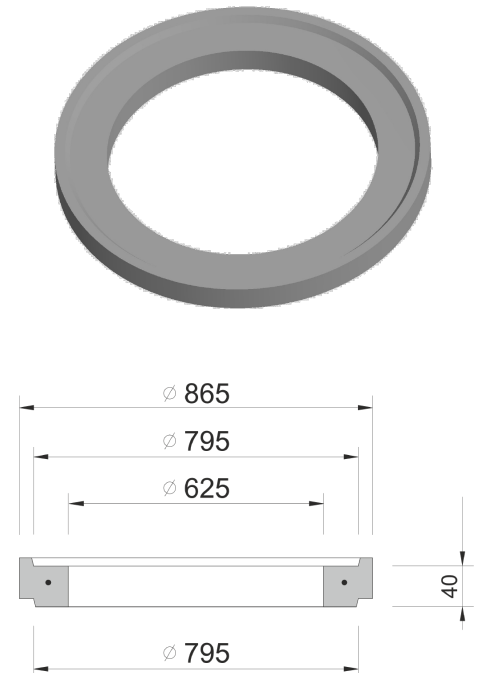


Code	BAR-V04
Material	Concrete
Weight	26 kg
Norm	DIN1917
Package	17 ks/pal

Concrete ring, anti-shift lock, 625/865mm, height 40mm

OTHER:

- | Concrete 35/45, chemical resistance class XF4 - according to DIN 4034
- | Adjustment rings under manhole covers DN600.
- | The rings must be laid on manhole top section and on top of each other, always on a mortar or grout bed with a minimum strength of 45 MPa and a resistance of XF4.



ADJUSTABLE
HEIGHT

