

## Manhole cover with ventilation in self-levelling frame

E600 - extreme loads

# Europa 9



Code	<b>KEM94B</b>
Material	<b>Cast iron</b>
Weight	<b>74 kg</b>
Package	<b>14 ks/pal</b>
Load class	<b>Extreme traffic load</b>

cover with hinge, KASI PUR vertical and horizontal shock-absorbing lining on lid, with spring-loaded lid locking in frame

### COVER:

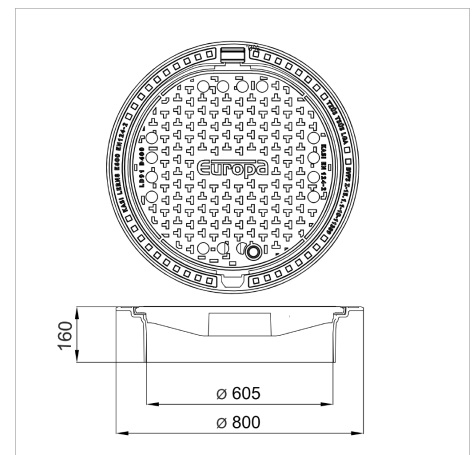
- | Lid weight 45 kg
- | Permits your own design/logo
- | Lid secured in frame with multi-point springs
- | Integrated KASI-PUR damping insert with high resistance
- | Safety locking at 90°, max. opening 120°

### FRAME:

- | Frame height 160 mm, weight 29 kg
- | Use with BAR-V and BAR adjustment rings
- | Installation in the running layer and load transfer outside the well
- | Installation without guide ring – frame can be inserted directly into well
- | Suitable for places with extreme traffic loads

### OTHER:

- | Option with screw locking
- | custom motif on the lid possible
- | Hatch comes without coating – painted options can be ordered



**CUSTOM SOLUTIONS**



**DAMPING INSERT**



**MAX. OPENING ANGLE**

