

E600 - extreme loads

## Standard



Code	<b>KEIV15CS</b>
Material	<b>Concrete, Cast iron</b>
Weight	<b>210 kg</b>
Norm	<b>EN124-2</b>
Package	<b>5 ks/pal</b>
Load class	<b>Heavy traffic load</b>

without hinge, PUR shock-absorbing lining - tunnel version, without spring-loaded lid locking in frame, watertight to 2 bar

### COVER:

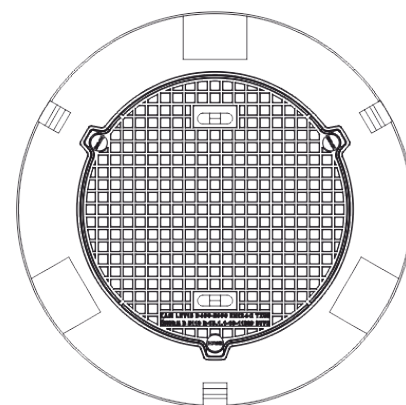
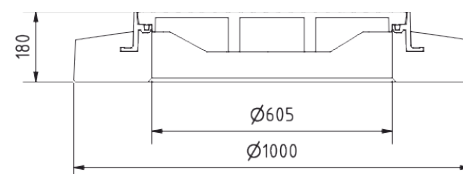
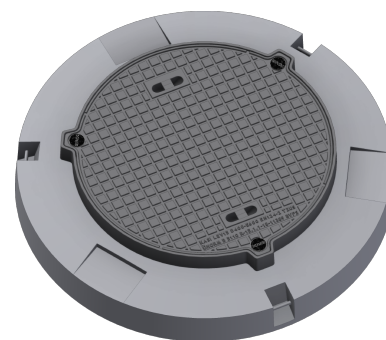
- For waterproof sets
- Lid weight 49 kg

### FRAME:

- Spreading frame 1000 mm without trap mounting
- Frame height 160 mm, weight 161 kg
- Use with BAR-V and BAR adjustment rings
- Integrated PUR damping insert with high resistance
- Three handling hinges

### OTHER:

- Hatch comes with black finish
- Suitable for places with high traffic loads
- Watertight hatch with certified resistance to 2 bar



**WATER AND GAS-TIGHT**



**QUIET DESIGN**

