

## Manhole cover with ventilation in the distribution frame

E600 - areas exposed to high loads from heavy machinery

### EUROPA 9



Code	<b>KEG92</b>
Material	<b>Concrete, Cast iron</b>
Weight	<b>336 kg</b>
Norm	<b>EN124-2</b>
Package	<b>5 ks/pal</b>
Load class	<b>Extreme traffic load</b>

Poklop EUROPA 9 s pantem, víko litina s ventilací s uzavřeným pantem, pružinové zajištění víka v rámu, E600, rám beton-litina roznášecí DN1200 v.200mm bez osazení pro lapač, horizontální a vertikální PUR tlumící vložka na víku

#### COVER:

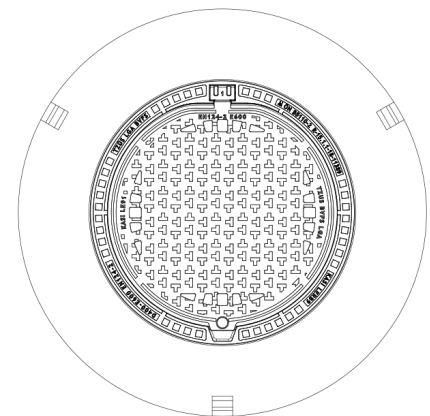
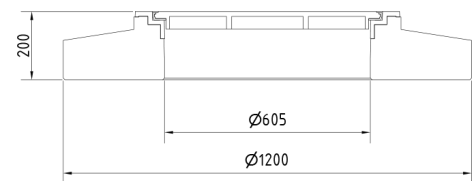
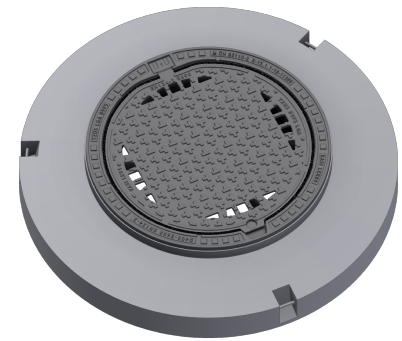
- | Integrated KASI-PUR damping insert with high resistance
- | Cast iron with ventilation and anti-slip design.
- | Hinge secured against removal from the frame
- | Safety lock at 90°
- | Lid weight 47kg

#### FRAME:

- | Distribution frame 1200mm without mounting for catcher
- | Frame height 200 mm
- | Machined frame contact surface to 0.1mm
- | Use with BAR-V and BAR adjustment rings
- | Three handling hinges

#### OTHER:

- | The cover is supplied without surface treatment - painted variants can be ordered
- | Option of screw locking
- | Suitable for places with extreme traffic load
- | Lid safety lock at 90°



**CUSTOMER SOLUTIONS**



**DAMPING INSERT**



**MAX. OPENING ANGLE**



**ANTI-THEFT PROTECTION**