

Manhole cover with ventilation in self-levelling frame

D400 - heavy traffic loads

Europa 9



Code	KDM92B
Material	Cast iron
Weight	70 kg
Package	14 ks/pal
Load class	Heavy traffic load

cover D400 with hinge, KASI PUR shock-absorbing lining, spring-loaded lid locking in frame

COVER:

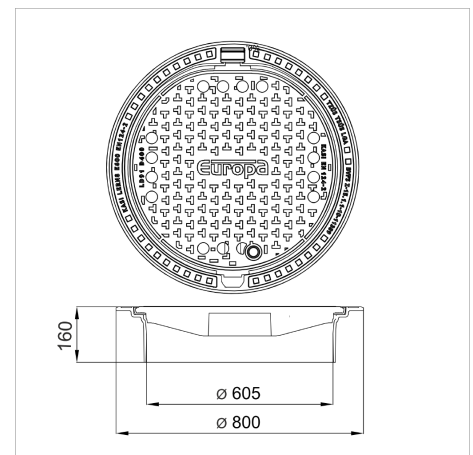
- | Lid weight 41 kg
- | Permits your own design/logo
- | Lid secured in frame with multi-point springs
- | Integrated KASI-PUR damping insert with high resistance
- | Safety locking at 90°, max. opening 120°

FRAME:

- | Frame height 160 mm, weight 29 kg
- | Use with BAR-V and BAR adjustment rings
- | Installation in the running layer and load transfer outside the well
- | Installation without guide ring – frame can be inserted directly into well
- | Suitable for places with high traffic loads

OTHER:

- | Option with screw locking
- | custom motif on the lid possible
- | Hatch comes without coating – painted options can be ordered



CUSTOM SOLUTIONS



DAMPING INSERT



MAX. OPENING ANGLE



THEFT PROTECTION

