

## Manhole cover without ventilation in cast iron frame with foot

A15 - pedestrian zones and non-traffic areas

# EUROPA 7



Code	<b>KAL7M</b>
Material	<b>Cast iron</b>
Weight	<b>26 kg</b>
Norm	<b>EN124-2</b>
Package	<b>30 ks/pal</b>
Load class	<b>A15</b>

Poklop EUROPA 7 s pantem, víko litina kruhová vtoková mříž s uzavřeným pantem, bez pružinového zajištění víka v rámu, A15, rám litina patkový v.70mm bez osazení pro lapač, s mušlí

### COVER:

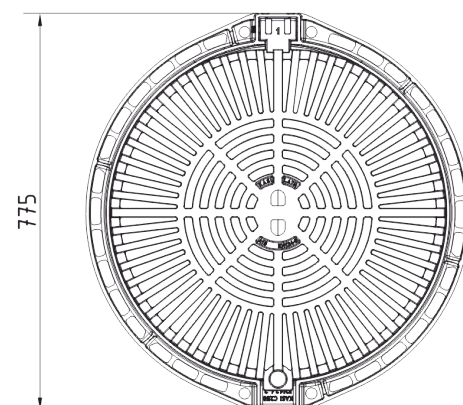
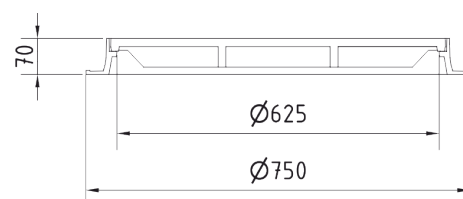
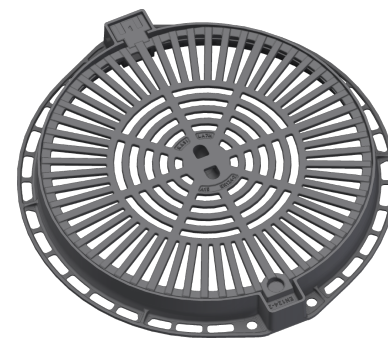
- | Machined lid seating surface to 0.3mm
- | Hinge secured against removal from the frame
- | Safety lock at 90°
- | Lid weight 15kg

### FRAME:

- | Cast iron frame with foot without shoulder for trap
- | Frame height 70 mm
- | Use with BAR-V and BAR adjustment rings

### OTHER:

- | The cover is supplied without surface treatment - painted variants can be ordered
- | Option of screw locking
- | Lid safety lock at 90°



CUSTOMER SOLUTIONS



MAX. OPENING ANGLE



ANTI-THEFT PROTECTION

