

Manhole cover without ventilation in cast iron frame with foot A15 - pedestrian zones and non-traffic areas

EUROPA 7



Code	KAL71
Material	Cast iron
Weight	29 kg
Norm	EN124-2
Package	30 ks/pal
Load class	A15

Poklop EUROPA 7 s pantem, víko litina bez ventilace s uzavřeným pantem, bez pružinového zajištění víka v rámu, A15, rám litina patkový v.70mm bez osazení pro lapač, s mušlí

COVER:

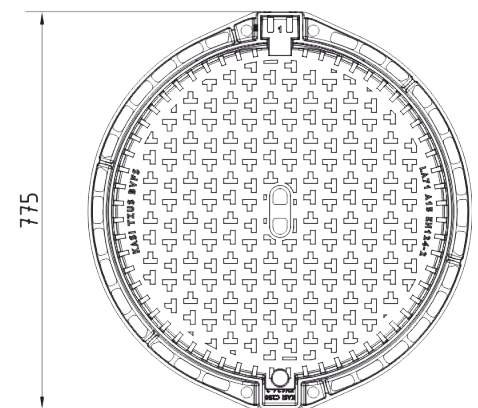
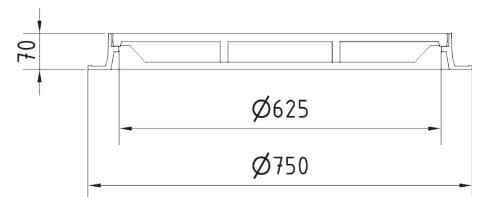
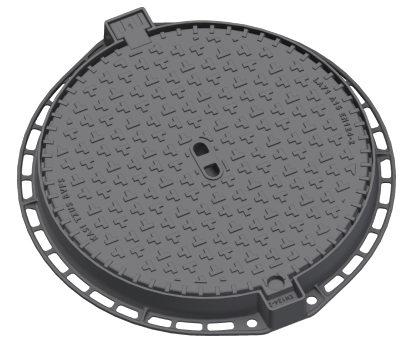
- | Cast iron without ventilation with anti-slip design
- | Machined lid seating surface to 0.3mm
- | Hinge secured against removal from the frame
- | Safety lock at 90°
- | Lid weight 18kg

FRAME:

- | Cast iron frame with foot without shoulder for trap
- | Frame height 70 mm
- | Use with BAR-V and BAR adjustment rings

OTHER:

- | The cover is supplied without surface treatment - painted variants can be ordered
- | Option of screw locking
- | added lid opening - pocket for crowbar
- | Lid safety lock at 90°
- | Custom lid motif not possible



CUSTOMER
SOLUTIONS



MAX. OPENING
ANGLE



ANTI-THEFT
PROTECTION

