

Manhole cover with ventilation in spreading frame

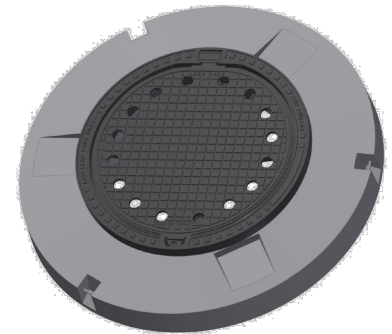
E600 - extreme loads

Europa 9



Code	AKEG98
Material	Concrete, Cast iron
Weight	336 kg
Package	5 ks/pal
Load class	Extreme traffic load

cover with hinge, KASI PUR vertical and horizontal shock-absorbing lining on lid, with spring-loaded lid locking in frame



COVER:

- | Lid weight 47 kg
- | Permits your own design/logo
- | Lid secured in frame with multi-point springs
- | Integrated KASI-PUR damping insert with high resistance
- | Safety locking at 90°, max. opening 120°

FRAME:

- | Frame height 200 mm, weight 289 kg
- | Use with BAR-V and BAR adjustment rings
- | Three handling hinges
- | Suitable for replacing hatches in areas with slightly damaged cones.
- | Suitable for places with extreme traffic loads

OTHER:

- | Option with screw locking
- | custom motif on the lid possible
- | Hatch comes without coating – painted options can be ordered



CUSTOM
SOLUTIONS



DAMPING INSERT



MAX. OPENING
ANGLE



QUIET DESIGN

