

Manhole cover with ventilation in self-levelling frame

E600 - extreme loads

Europa 9



Code	KEM94B
Material	Cast iron
Weight	74 kg
Package	14 ks/pal
Load class	Extreme traffic load

cover with hinge, KASI PUR vertical and horizontal shock-absorbing lining on lid, with spring-loaded lid locking in frame

COVER:

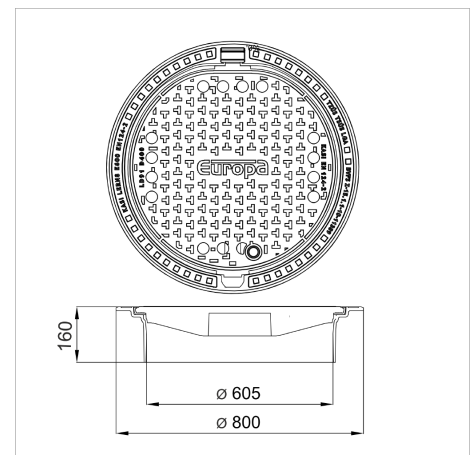
- | Lid weight 45 kg
- | Permits your own design/logo
- | Lid secured in frame with multi-point springs
- | Integrated KASI-PUR damping insert with high resistance
- | Safety locking at 90°, max. opening 120°

FRAME:

- | Suitable for places with extreme traffic loads
- | Frame height 160mm, weight 29 kg
- | Installation in the running layer and load transfer outside the well
- | Installation without guide ring – frame can be inserted directly into well
- | Use with BAR-V and BAR adjustment rings

OTHER:

- | custom motif on the lid possible
- | Hatch comes without coating – painted options can be ordered
- | Option with screw locking



CUSTOM
SOLUTIONS



DAMPING INSERT



MAX. OPENING
ANGLE

