

## Manhole cover without ventilation in spreading frame

D400 - extreme traffic loads

# Europa 9



Code	<b>KDG91B</b>
Material	<b>Concrete, Cast iron</b>
Weight	<b>331 kg</b>
Package	<b>5 ks/pal</b>
Load class	<b>Extreme traffic load</b>

cover D400 with hinge, KASI PUR shock-absorbing lining, spring-loaded lid locking in frame

### COVER:

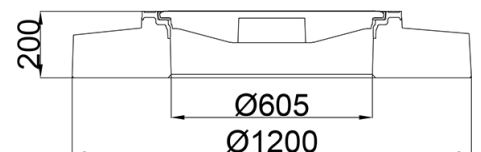
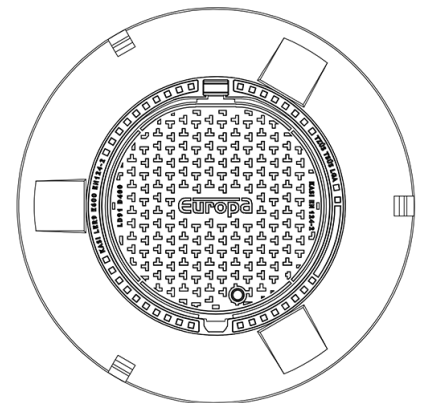
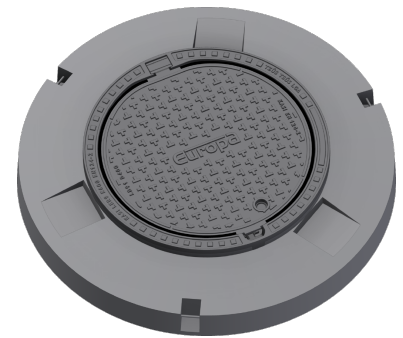
- | Cast iron with ventilation with anti-slip design.
- | Lid weight 42 kg
- | Lid secured in frame with multi-point springs
- | Integrated KASI-PUR damping insert with high resistance
- | Safety locking at 90°, max. opening 120°

### FRAME:

- | Frame height 200mm, weight 289 kg
- | Use with BAR-V and BAR adjustment rings
- | Three handling hinges
- | Suitable for replacing hatches in areas with slightly damaged cones.
- | Suitable for places with extreme traffic loads

### OTHER:

- | Option with screw locking
- | custom motif on the lid possible
- | Hatch comes without coating – painted options can be ordered



CUSTOM SOLUTIONS



DAMPING INSERT



MAX. OPENING ANGLE



THEFT PROTECTION

