

Inlet grate in cast iron frame

D400 - heavy traffic loads

Standard



Code	KML01
Material	Cast iron
Weight	101 kg
Norm	DIN1229, EN124-2
Package	16 ks/pal

Grate 500x500mm for street gullies.

COVER:

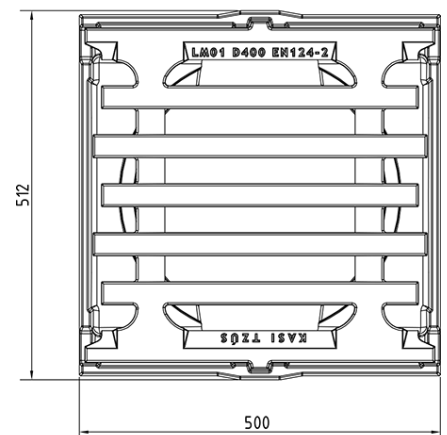
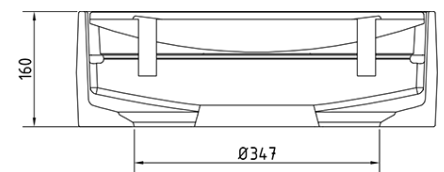
- | Straight grate 35 mm between ribs
- | Detachable grate-frame connection
- | Inlet cross-section 910 cm²

FRAME:

- | Cast iron frame with trap mounting
- | Frame height 160 mm

OTHER:

- | Mount on adjustment ring 10A.
- | Mortar connection with a strength of at least 45 MPa at least 20 mm high is required between the frame and the top part of the inlet



RAINWATER
DRAINAGE SYSTEM

