

Inlet grate in cast-iron concrete frame

D400 - heavy traffic loads

Europa



Code	KMA22P
Material	Concrete, Cast iron
Weight	89 kg
Norm	EN124-2
Package	16 ks/pal

Grate 500x500mm for street gullies.

COVER:

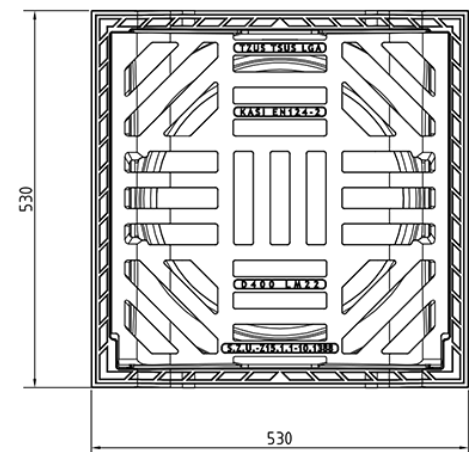
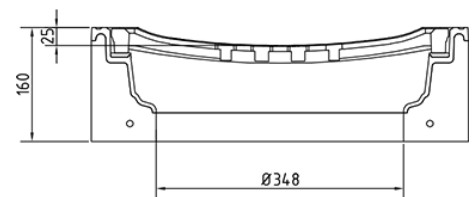
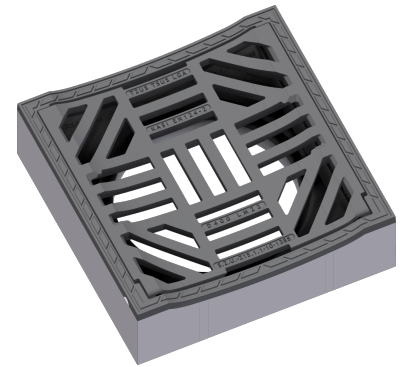
- | Hinge secured with pivot preventing removal from frame
- | Non-detachable grate-frame connection
- | Multidirectional grate
- | Inlet cross-section 940 cm²

FRAME:

- | Cast iron-concrete frame with trap mounting
- | Frame height 160 mm
- | PUR damping insert on frame resistant to oil and defrosting agents

OTHER:

- | The set is delivered in the final colour finish.
- | Mount on adjustment ring 10A.
- | Mortar connection with a strength of at least 45 MPa at least 20 mm high is required between the frame and the top part of the inlet



**MAX. OPENING
ANGLE**



**THEFT
PROTECTION**



DAMPING INSERT



**RAINWATER
DRAINAGE SYSTEM**

