

## Inlet grille in cast-iron concrete frame

C250 - use max 0.5m into the roadway

# Europa



Code	<b>KMA13P</b>
Material	<b>Concrete, Cast iron</b>
Weight	<b>83 kg</b>
Norm	<b>EN124-2</b>
Package	<b>16 ks/pal</b>
Load class	<b>C250</b>

Grate 500x500mm for street gullies.

### COVER:

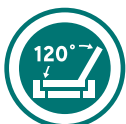
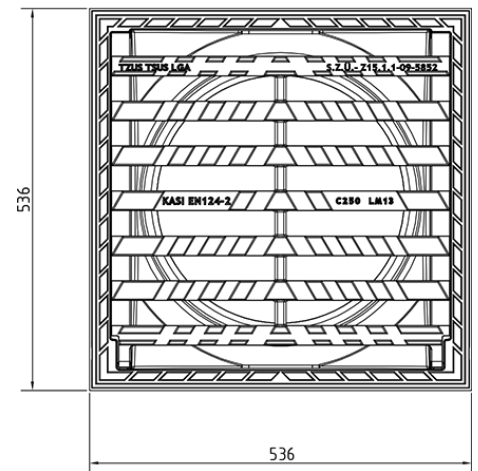
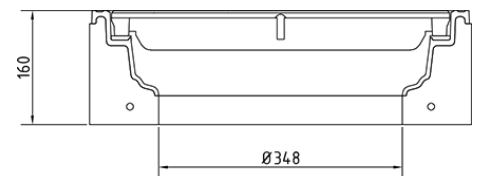
- | Hinge secured with a pin against removal from the frame
- | Straight grille between ribs 35 mm
- | Non-detachable connection of the grille to the frame
- | Inlet cross-section 1300 cm<sup>2</sup>

### FRAME:

- | Cast-concrete frame with mounting for trap
- | frame height 160 mm
- | PUR damping insert on the frame resistant to oils and de-icing agents

### OTHER:

- | Place on the 10A alignment ring.
- | V kombinaci s kalovým košem A4 nebo B1
- | There must be at least a 20mm high mortar joint between the frame and the top of the drain with a strength of at least 45MPa.



MAX. OPENING  
ANGLE



ANTI-THEFT  
PROTECTION



DAMPING INSERT



RAINWATER  
DRAINAGE

