

## Inlet grate in cast-iron concrete frame

D400 - heavy traffic loads

# Europa



Code	<b>KMA12</b>
Material	<b>Concrete, Cast iron</b>
Weight	<b>85 kg</b>
Norm	<b>EN124-2</b>
Package	<b>16 ks/pal</b>

Grate 500x500mm for street gullies.

### COVER:

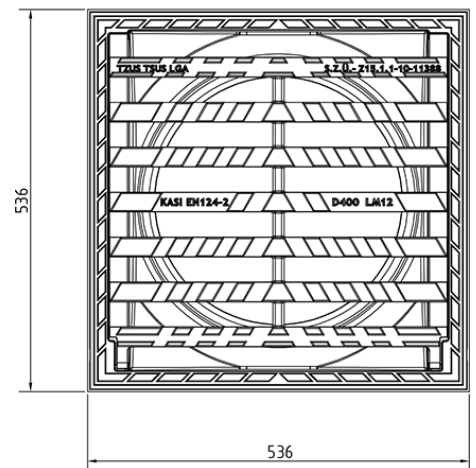
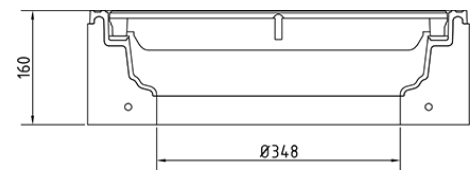
- | Hinge enabling removal from frame
- | Straight grate 35 mm between ribs
- | Detachable grate-frame connection
- | Inlet cross-section 1300 cm<sup>2</sup>

### FRAME:

- | Cast iron-concrete frame with trap mounting
- | Frame height 160 mm
- | PUR damping insert on frame resistant to oil and defrosting agents

### OTHER:

- | Mount on adjustment ring 10A.
- | Mortar connection with a strength of at least 45 MPa at least 20 mm high is required between the frame and the top part of the inlet



MAX. OPENING  
ANGLE



DAMPING INSERT



RAINWATER  
DRAINAGE SYSTEM

