

## Inlet grille in cast iron frame

A15 - pedestrian zones and non-traffic areas

## Standard

Code	<b>KMA</b>
Material	<b>Cast iron</b>
Weight	<b>12 kg</b>
Norm	<b>DIN1229, EN124-2</b>
Package	<b>72 ks/pal</b>

Mříž vtoková rovná běžná štěrbiná 300x300mm pro dvorní vpusti A15, rám litina v.60mm.

### COVER:

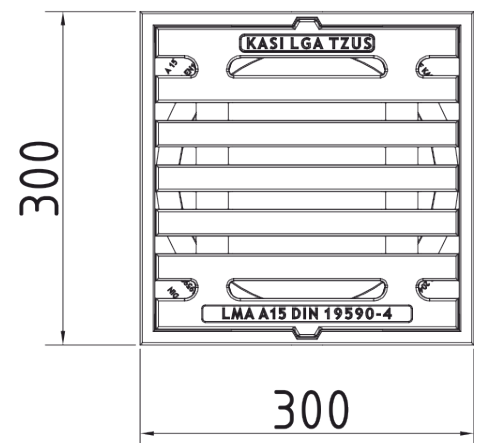
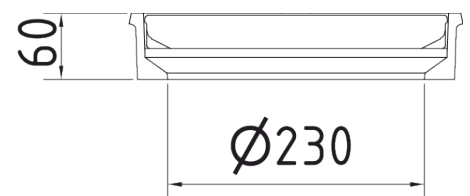
- Straight grille between ribs 35 mm
- Detachable connection of the grille to the frame

### FRAME:

- Cast iron frame with mounting for trap

### OTHER:

- There must be at least a 20mm high mortar joint between the frame and the top of the drain with a strength of at least 45MPa.



RAINWATER  
DRAINAGE

