

## Inlet grate in cast-iron concrete frame

E600 - extreme loads

# Europa



Code	<b>KM19P</b>
Material	<b>Concrete, Cast iron</b>
Weight	<b>74 kg</b>
Norm	<b>EN124-2</b>
Package	<b>16 ks/pal</b>

Grate 500x500mm for street gullies.

### COVER:

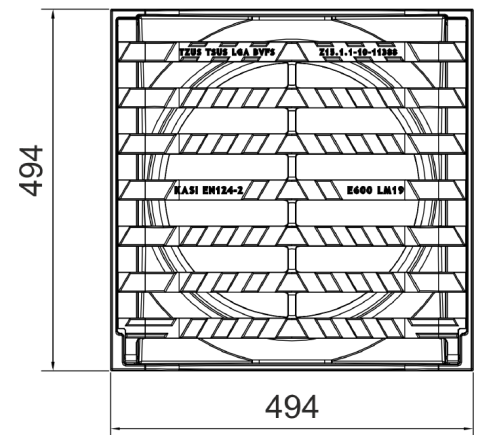
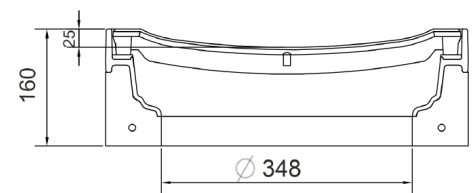
- | Hinge secured with pivot preventing removal from frame
- | Concave grate 35 mm between ribs
- | Non-detachable grate-frame connection
- | Inlet cross-section 1300 cm<sup>2</sup>

### FRAME:

- | Cast iron-concrete frame with trap mounting
- | Frame height 160 mm
- | PUR damping insert on frame resistant to oil and defrosting agents

### OTHER:

- | Mount on adjustment ring 10A.
- | Mortar connection with a strength of at least 45 MPa at least 20 mm high is required between the frame and the top part of the inlet



**MAX. OPENING  
ANGLE**



**THEFT  
PROTECTION**



**DAMPING INSERT**



**RAINWATER  
DRAINAGE SYSTEM**

