

Inlet grate in cast-iron concrete frame

C250 - use max 0.5m into the roadway

Europa



Code	KM16P
Material	Concrete, Cast iron
Weight	68 kg
Norm	EN124-2
Package	16 ks/pal

Grate 500x500mm for street gullies.

COVER:

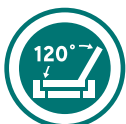
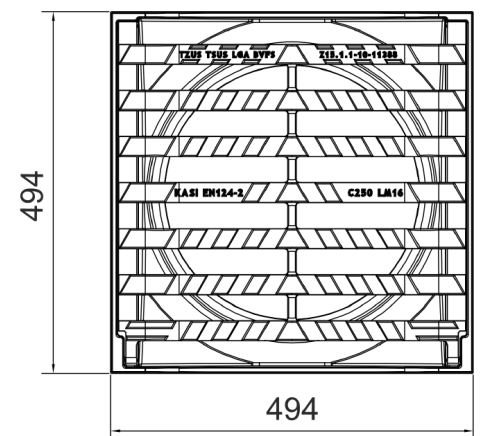
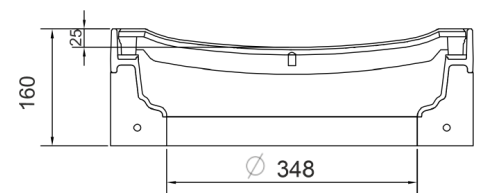
- | Hinge secured with pivot preventing removal from frame
- | Concave grate 35 mm between ribs
- | Non-detachable grate-frame connection
- | Inlet cross-section 1300 cm²

FRAME:

- | Cast iron-concrete frame with trap mounting
- | Frame height 160 mm
- | PUR damping insert on frame resistant to oil and defrosting agents

OTHER:

- | Mount on adjustment ring 10A.
- | Mortar connection with a strength of at least 45 MPa at least 20 mm high is required between the frame and the top part of the inlet



MAX. OPENING
ANGLE



THEFT
PROTECTION



DAMPING INSERT



RAINWATER
DRAINAGE SYSTEM

