

Inlet grille in cast-iron concrete frame

D400 - heavy traffic load

Europa



Code	KM15PB4
Material	Concrete, Cast iron
Weight	69 kg
Norm	EN124-2
Package	16 ks/pal

Grate 500x500mm for street gullies.

COVER:

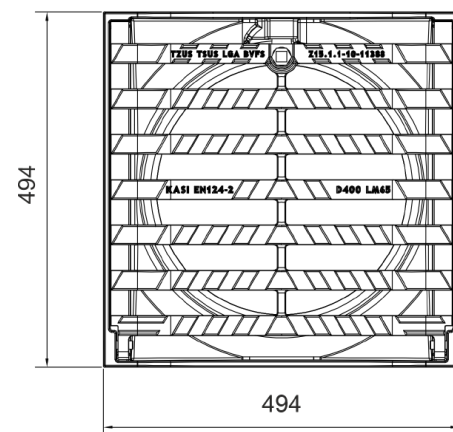
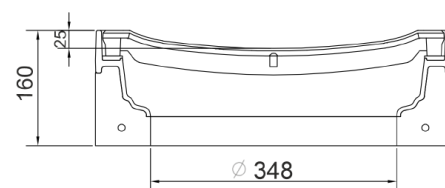
- | Hinge secured with a pin against removal from the frame
- | Grille curved between ribs 35 mm
- | Non-detachable connection of the grille to the frame
- | Inlet cross-section 1300 cm²

FRAME:

- | Cast-concrete frame with mounting for trap
- | frame height 160 mm
- | PUR damping insert on the frame resistant to oils and de-icing agents

OTHER:

- | Place on the 10A alignment ring.
- | There must be at least a 20mm high mortar joint between the frame and the top of the drain with a strength of at least 45MPa.



MAX. OPENING
ANGLE



ANTI-THEFT
PROTECTION



DAMPING INSERT



RAINWATER
DRAINAGE