

Inlet grille in cast-iron concrete frame

D400 - heavy traffic load

Standard



Code	KM01
Material	Concrete, Cast iron
Weight	92 kg
Norm	DIN1229, EN124-2
Package	16 ks/pal

Grate 500x500mm for street gullies.

COVER:

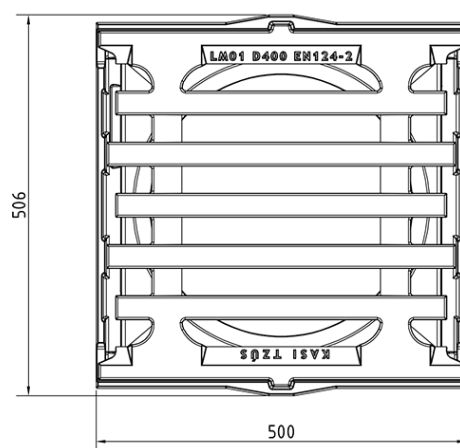
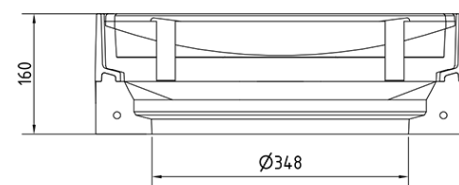
- | Straight grille between ribs 35 mm
- | Detachable connection of the grille to the frame
- | Inlet cross-section 910 cm²

FRAME:

- | Cast-concrete frame with mounting for trap
- | frame height 160 mm

OTHER:

- | Place on the 10A alignment ring.
- | There must be at least a 20mm high mortar joint between the frame and the top of the drain with a strength of at least 45MPa.



RAINWATER
DRAINAGE

